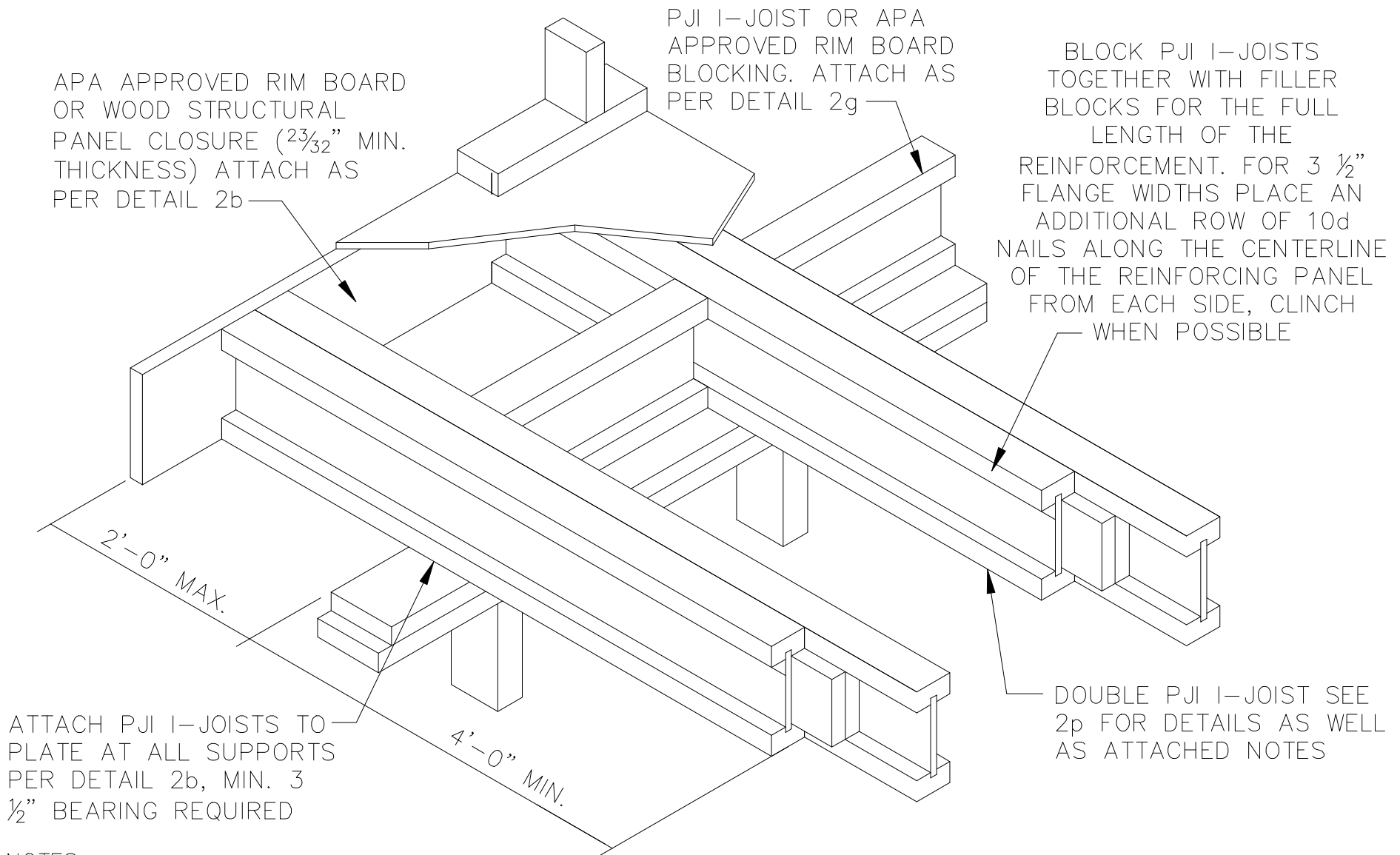


METHOD 3 - DOUBLE PJI JOISTS



NOTES:

1. SUPPORT BACK OF PJI I-JOISTS WEB DURING NAILING TO PREVENT DAMAGE TO WEB/FLANGE CONNECTION.
2. LEAVE $\frac{1}{8}$ " GAP BETWEEN TOP OF FILLER BLOCK AND TOP FLANGE OF I-JOIST.
3. FILLER BLOCK IS REQUIRED BETWEEN JOISTS FOR FULL LENGTH OF SPAN.
4. NAIL JOISTS TOGETHER WITH 2 ROWS OF 10d NAILS @ 12" c/c ON EACH SIDE (CLINCH WHEN POSSIBLE).
5. TOTAL OF 4 NAILS PER/FT REQUIRED, IF NAILS CAN BE CLINCHED ONLY 2 NAILS PER/FT REQUIRED..