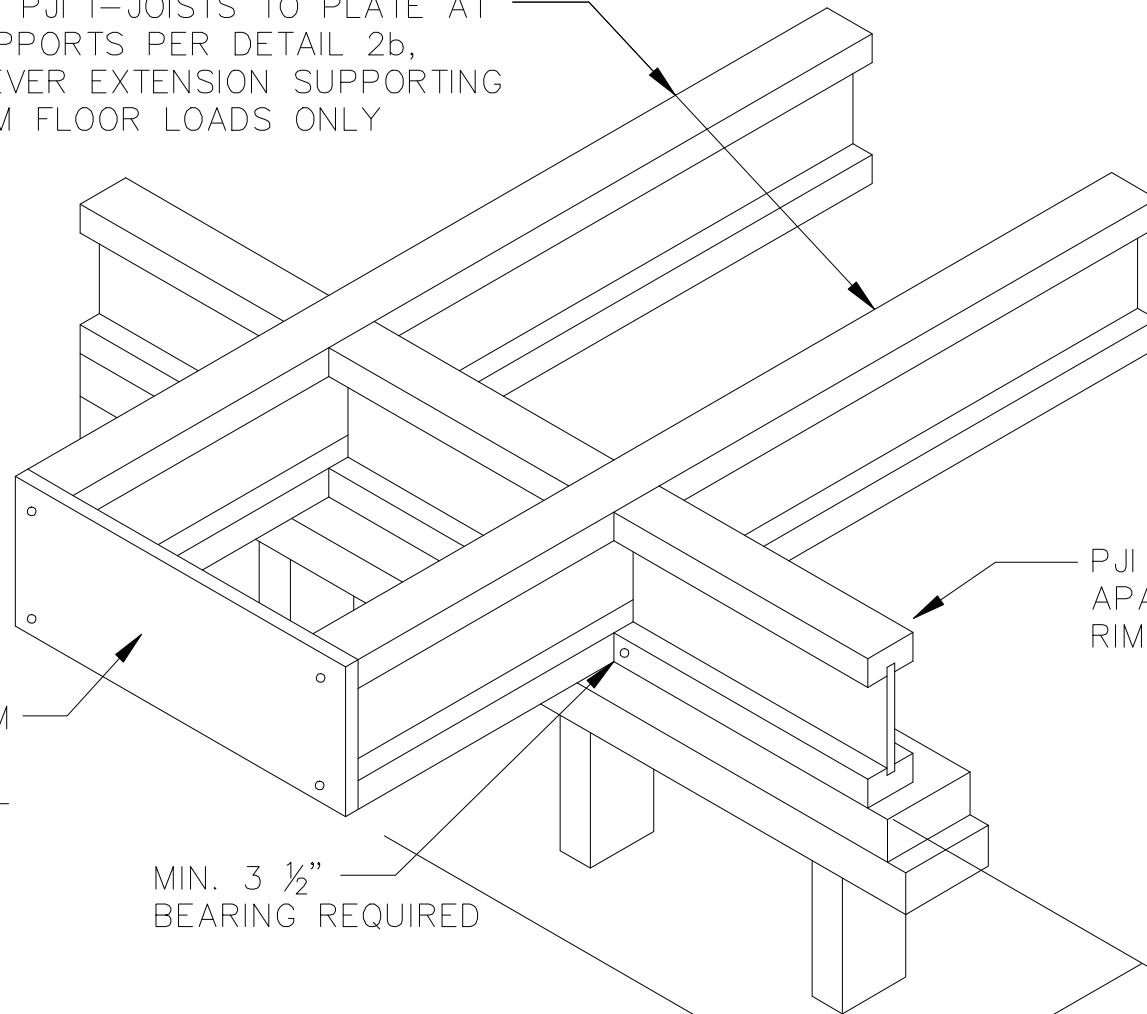


CANTILEVERED DETAIL FOR BALCONIES (NO WALL LOAD)

ATTACH PJI I-JOISTS TO PLATE AT ALL SUPPORTS PER DETAIL 2b, CANTILEVER EXTENSION SUPPORTING UNIFORM FLOOR LOADS ONLY



APA APPROVED RIM BOARD OR WOOD STRUCTURAL PANEL

PJI I-JOISTS OR APA APPROVED RIM BOARD

MIN. 3 1/2" BEARING REQUIRED

NOTE:

ALL NAILS SHOWN IN DETAILS ARE ASSUMED TO BE COMMON NAILS UNLESS OTHERWISE NOTES. INDIVIDUAL COMPONENTS ARE NOT SHOWN TO SCALE FOR CLARITY

L/4 OR 4'-0" MAXIMUM WHERE "L" IS THE JOIST SPAN IN FEET

CAUTION:

CANTILEVERS FORMED THIS WAY MUST BE CAREFULLY DETAILED TO PREVENT MOISTURE INTRUSION INTO THE STRUCTURE AND POTENTIAL DECAY OF UNTREATED PJI I-JOIST EXTENSIONS