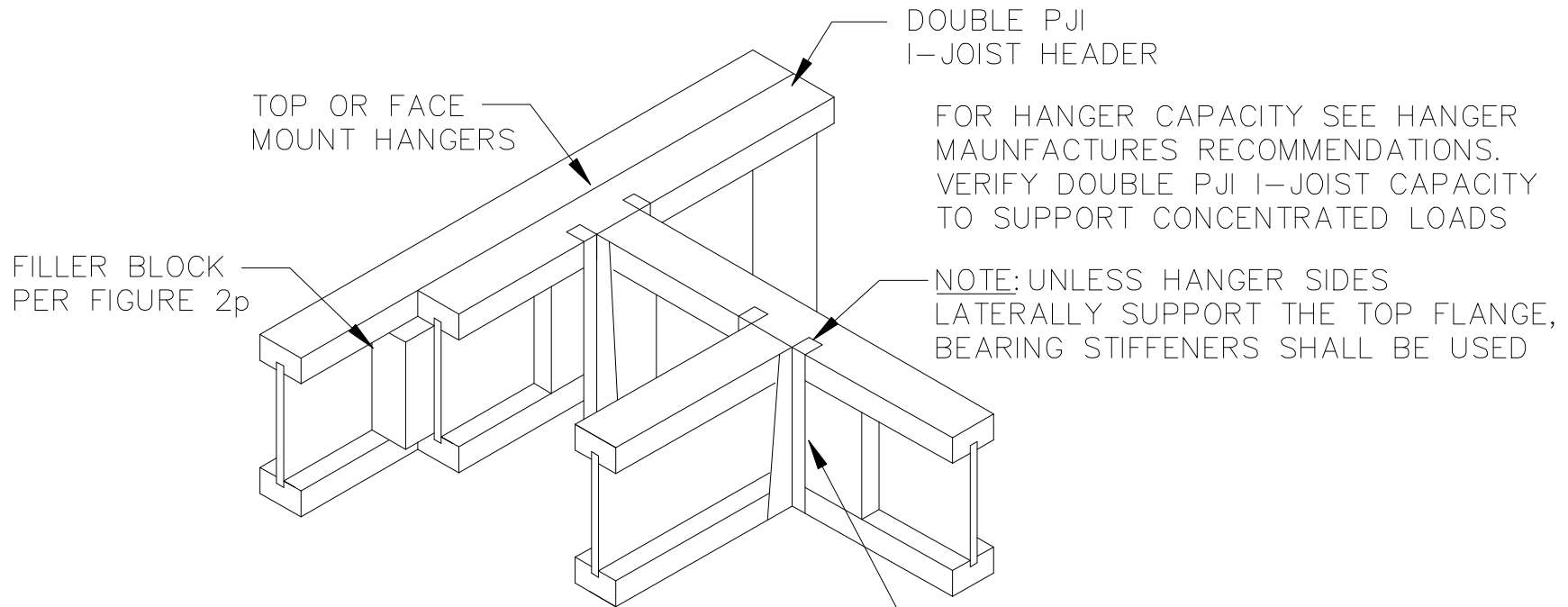


2h

BACKER BLOCK USE IF FACTORED HANGER LOAD EXCEEDS 360 LBS.
 BEFORE INSTALLING A BACKER BLOCK TO A DOUBLE I-JOIST, DRIVE 3 ADDITIONAL 3" NAILS THROUGH WEBS AND FILLER BLOCK WHERE THE BACKER BLOCK WILL FIT. CLINCH. INSTALL BACKER TIGHT TO TOP FLANGE. USE 12 3" NAILS, CLINCH WHEN POSSIBLE, MAX CAPACITY FOR HANGER FOR THIS DETAIL IS 1620 LBS.



BACKER BLOCKS MUST BE LONG ENOUGH TO PERMIT REQUIRED NAILING WITHOUT SPLITTING.

SERIES	THICKNESS*	MIN. DEPTH**
PJI40 & PJI60	1"	5 1/2"
PJI80 & PJI90	1 1/2"	7 1/4"

*MIN GRADE BACKER BLOCK SHALL BE UTILITY GRADE SPF (SOUTH) OR BETTER FOR SOLID SAWN LUMBER AND SHALL BE RATED SHEATHING GRADE FOR WOOD STRUCTURAL PANELS.

**FOR FACE MOUNT HANGERS, USE NET JOIST DEPTH MINUS 1 1/4" FOR JOISTS WITH 1 1/2" THICK FLANGES

BACKER BLOCK REQUIRED (BOTH SIDES FOR FACE MOUNT HANGERS SEE HANGER MANUFACTURED INSTALL DETAILS)

HANGER MUST SUPPORT TOP FLANGE OF JOIST, FILLER BLOCK REQUIRED IF HANGER IS NOT FULL DEPTH OF JOIST