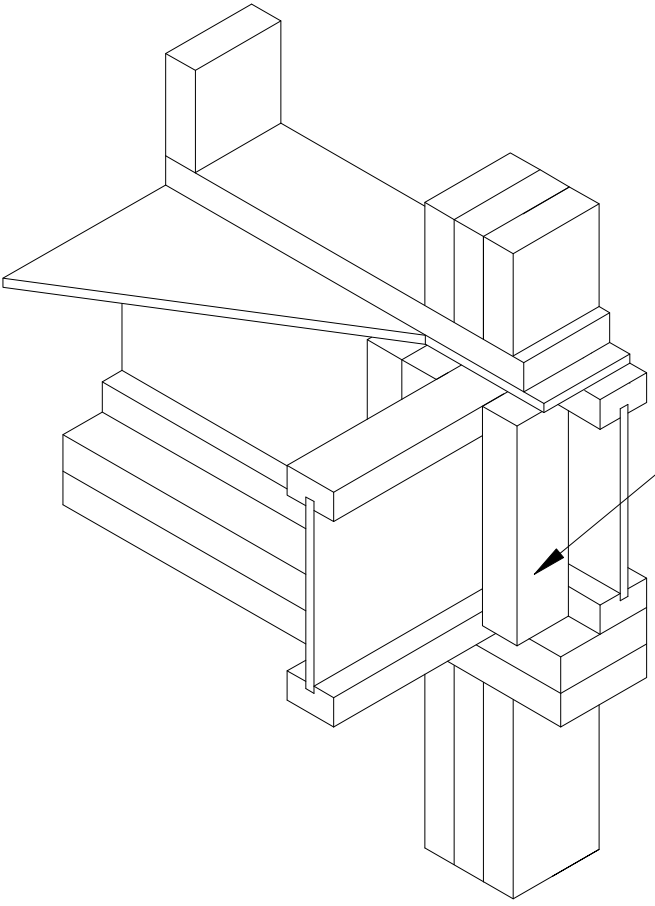


2e



TRANSFER LOAD FROM ABOVE TO BEARING BELOW. INSTALL SQUASH BLOCKS PER 2d. MATCH BEARING AREA OF BLOCKS IN RIM CAVITY TO POST ABOVE. EXAMPLE:
3-2x6 POST REQUIRES 3-2x6 SQUASH BLOCKS