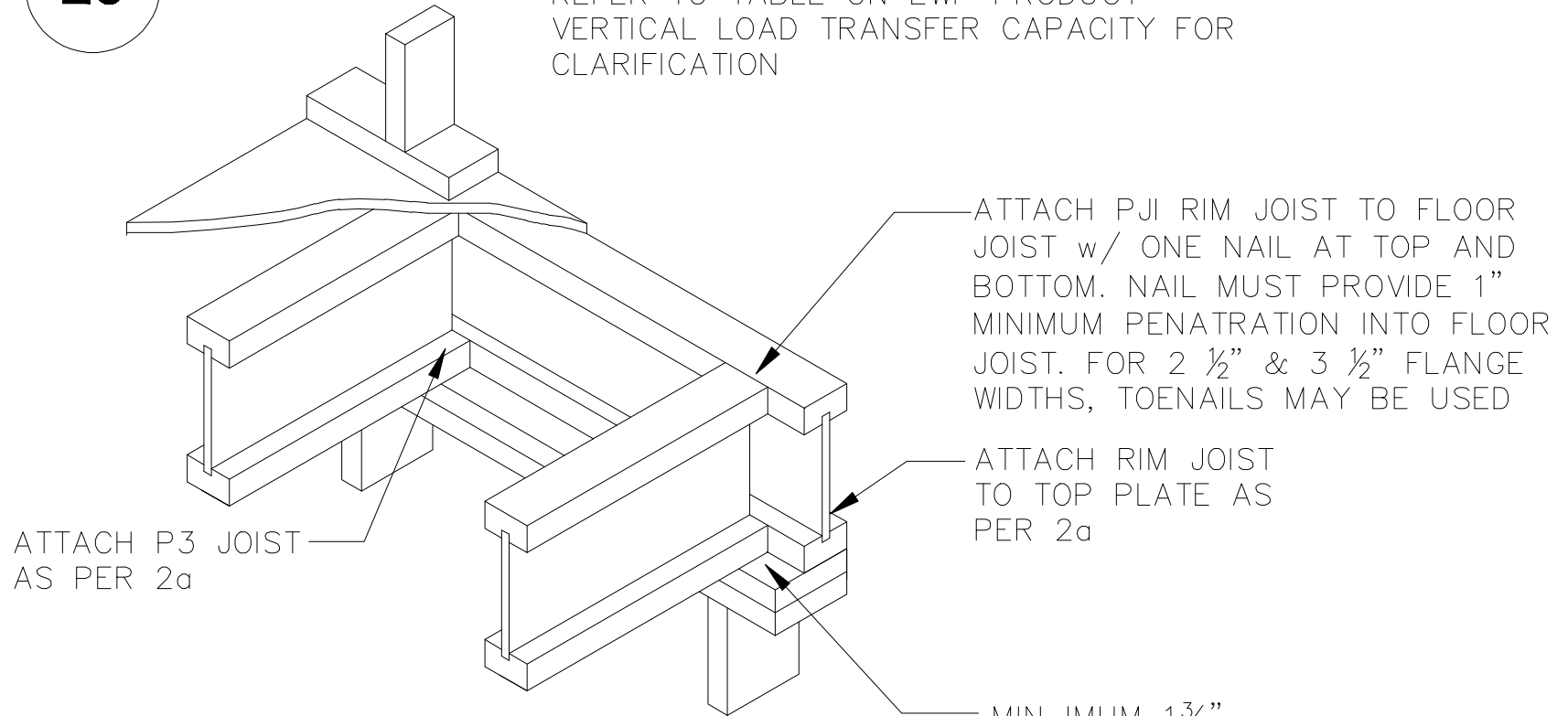


2c

REFER TO TABLE ON EWP PRODUCT
VERTICAL LOAD TRANSFER CAPACITY FOR
CLARIFICATION



ATTACH P3 JOIST
AS PER 2a

ATTACH PJI RIM JOIST TO FLOOR
JOIST w/ ONE NAIL AT TOP AND
BOTTOM. NAIL MUST PROVIDE 1"
MINIMUM PENETRATION INTO FLOOR
JOIST. FOR 2 1/2" & 3 1/2" FLANGE
WIDTHS, TOENAILS MAY BE USED

ATTACH RIM JOIST
TO TOP PLATE AS
PER 2a

MINIMUM 1 3/4"
BEARING REQUIRED
FOR JOISTS

TO AVOID SPLITTING FLANGES, START
NAILS 1 1/2" FROM END OF I-JOIST. NAILS
MAY BE DRIVEN IN AT AN ANGLE TO
AVOID SPLITTING BEARING PLATE